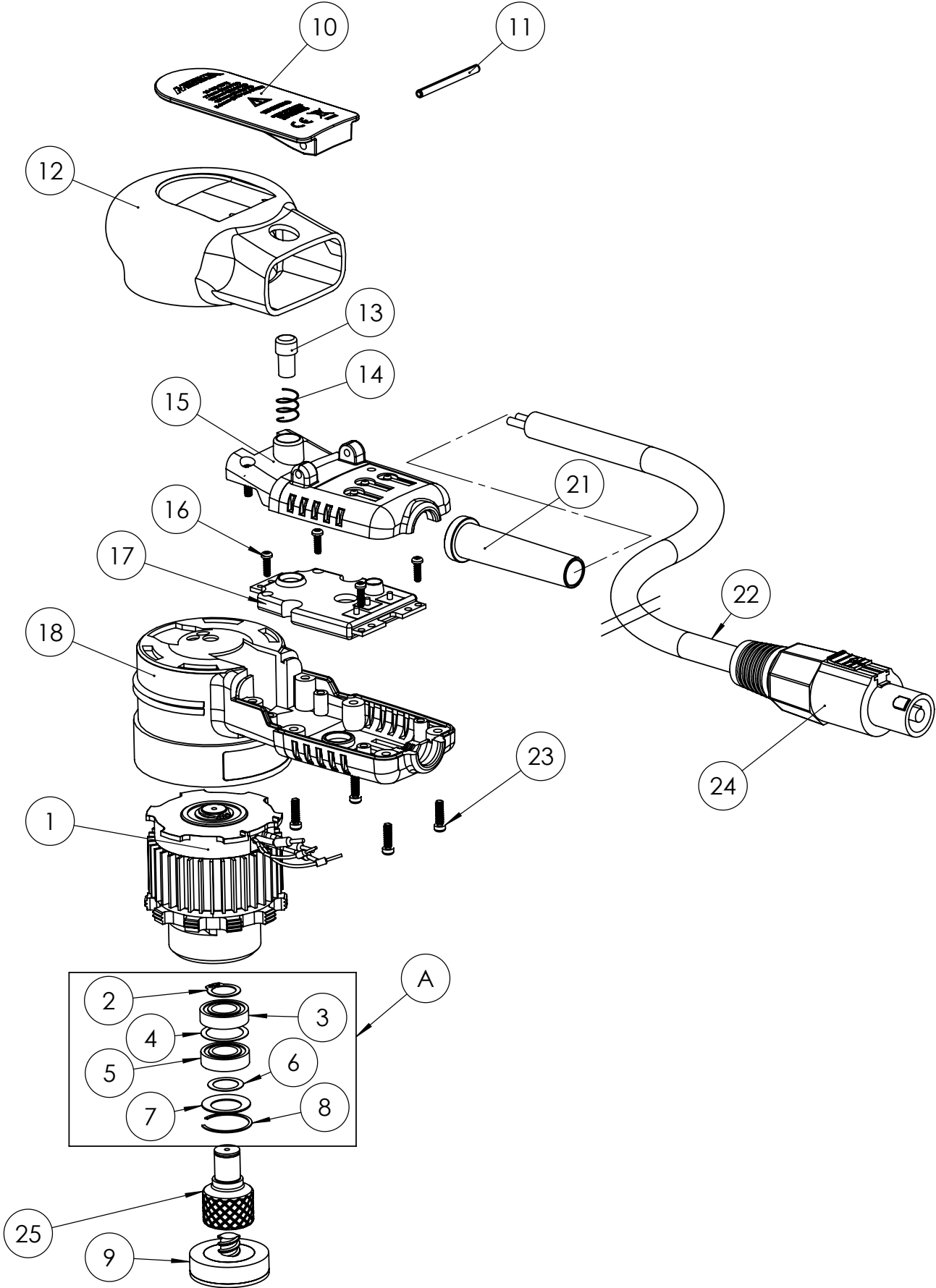


Exploded view of CEROS 32 mm

Updated 23.06.2016



CEROS 32 mm Kits

Electrical tool must be serviced by a qualified repair person and in accordance with national requirements.

Note! Repairs done by non-authorized repairer will breach the Mirka warranty

Mirka code	Item	Description	Kit	QTY
8993019511		Spindle bearing kit 32mm		
	2	Retaining ring		1
	3	Bearing		1
	4	Spacer	A	1
	5	Bearing		1
	6	Shim		1
	7	Washer		1
	8	Retaining ring		1
MIN6521011		Lever kit 32+125 + 150 mm/5 mm		
	10	Lever	C	1
	11	Pin		1
MIN6521311		Start Button Kit		
	13	Start button	D	1
	14	Start button spring		1
		Magnet		1
MIN6522211		DC Cable kit 4 m		
	21	Cable support	E	1
	22	DC cable 4m		1
	24	DC connector		1
MIN6522311		Screw Kit		
	16	PCB screws	F	4
	23	Housing screws		6

Separate parts on next page

CEROS 32 mm Spare parts

Mirka code	Item	Description	Kit
MIN1510111	1	Motor assembly 32mm/5,0mm	
	2	Retaining ring	A
	3	Bearing	A
	4	Spacer	A
	5	Bearing	A
	6	Shim	A
	7	Washer	A
	8	Retaining ring	A
8294596311	9	32mm PSA Sanding Pad Soft	
8294595311	9	32mm PSA Sanding Pad Hard	
8294598311	9	32mm Net Sanding Pad Soft	
	10	Lever	C
	11	Pin	C
MIN6511211	12	Grip	
	13	Start button	D
	14	Start button spring	D
		Magnet	
MIN6511511	15	Cover plate	
	16	PCB screws, 4 pcs	F
MIN6511711	17	Speed controller	
MIN1511811	18	Housing 32 mm	
	21	Cable support	E
	22	DC cable 4m	E
	23	Housing screws, 6 pcs	F
	24	DC Cable Male Plug for CEROS	E
MIN6512411	24	DC Cable Male Plug for CEROS	
8992454411	25	Spindle Quick Lock Insert	