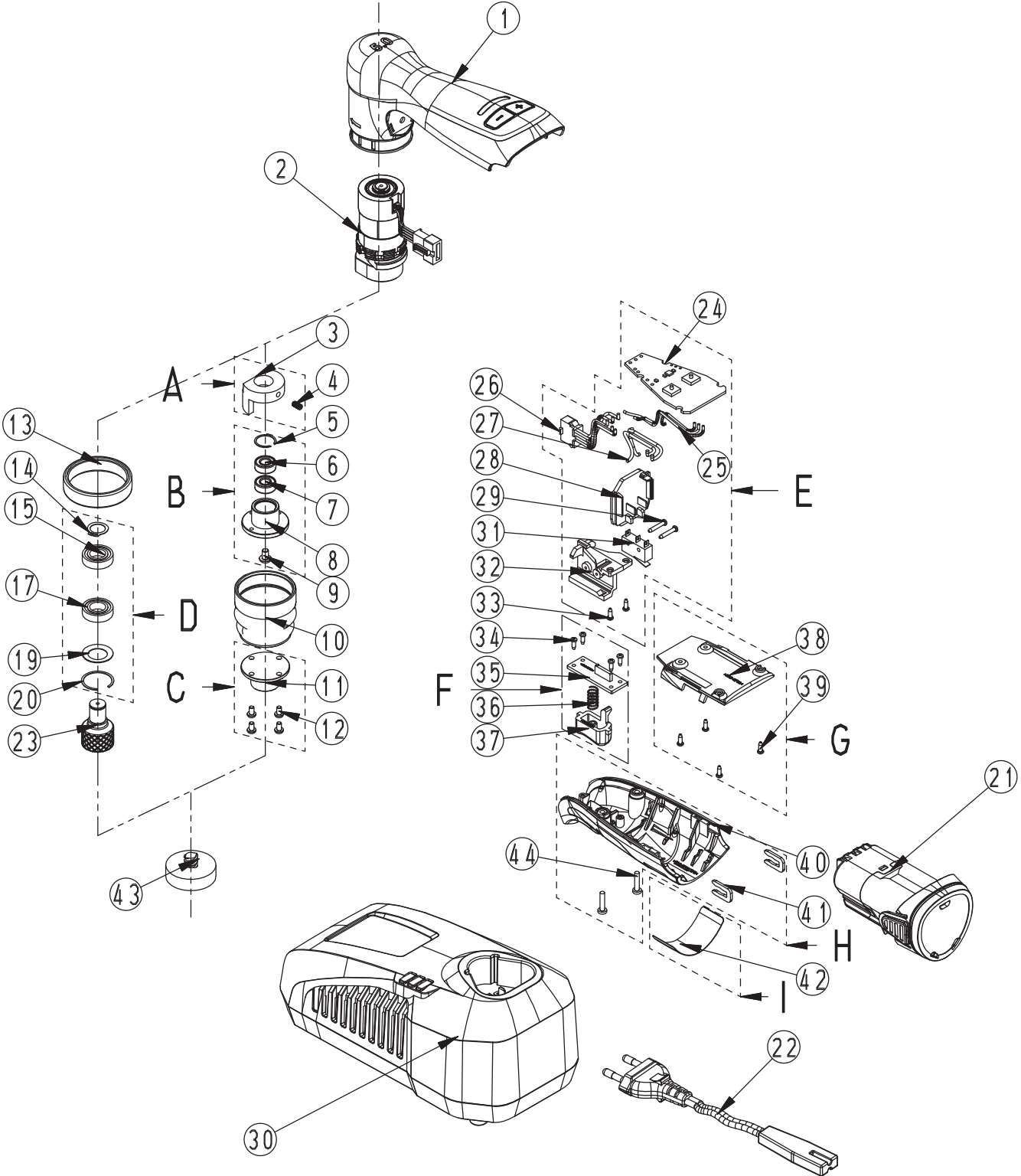


Exploded view of AROS-B 150NV & AOS-B 130NV

Updated 03.05.2017



AROS-B and AOS-B Kits

Mirka code	Item	Description	Kit	QTY
8991110231	2	AOS-B motor orbit 3.0 mm		1
	3	Counter weight		1
	4	Seth screw		1
	5	Retaining ring		1
	6	Ball bearing		1
	7	Ball bearing	x	1
	8	Balance shaft		1
	9	Assembly screw		1
	10	Rubber mount		1
	11	Quick lock plate		1
	12	Assembly screws		1
	8991110251	2	AROS-B motor orbit 5.0 mm	
14		Retaining ring		1
15		Ball bearing		1
17		Ball bearing	x	1
19		Washer		1
20		Retaining ring		1
8991120311	23	Spindle quick lock insert		1
		Counter weight kit for AOS-B		
8991120511	3	Counter weight	A	1
	4	Seth screw		1
8991121111		Spindle bearing kit for AOS-B		
	5	Retaining ring		1
	6	Ball bearing		1
	7	Ball bearing	B	1
	8	Balance shaft		1
8991121411	9	Assembly screw		1
		Quick lock plate assembly for AOS-B		
8991121411	11	Quick lock plate	C	1
	12	Assembly screws		4
8991122411		Spindle bearing kit for AROS-B		
	14	Retaining ring		1
	15	Ball bearing		1
	17	Ball bearing	D	1
	19	Washer		1
8991122411	20	Retaining ring		1
		Speed controller kit		
	24	Speed controller		1
	25	Battery wires		1
	26	Motor connector assembly		1
	27	Trigger wires		1
	28	Battery terminal	E	1
	29	Assembly screws for switch		2
	31	Switch		1
32	Holder		1	
8991123411	33	Assembly screws for switch holder		2
		Trigger button kit		
	34	Assembly screws for trigger button cover		4
	35	Trigger button cover	F	1
	36	Trigger spring		1
8991123811	37	Trigger button		1
		PCB cover kit		
8991124011	38	PCB cover	G	1
	39	Assembly screws		4
8991124211		Cover kit		
	40	Cover	H	1
	41	Assembly clamps		2
8991124211	44	Assembly screws for cover		2
		Label kit for AROS-B and AOS-B		
	42	Type labels, AROS-B	I	10
	42	Type labels, AOS-B		10

Separate parts on next page

AROS-B and AOS-B Spare parts

Mirka code	Item	Description	Kit	QTY
8991110111	1	Housing for AROS-B, 5.0mm		1
8991110211	1	Housing for AOS-B, 3.0mm		1
	2	AOS-B motor orbit 3.0 mm	x	1
	2	AROS-B motor orbit 5.0 mm	x	1
	3	Counter weight for AOS-B	A	1
	4	Seth screw for AOS-B	A	1
	5	Retaining ring for AOS-B	B	1
	6	Ball bearing for AOS-B	B	1
	7	Ball bearing for AOS-B	B	1
	8	Balance shaft for AOS-B	B	1
	9	Assembly screw for AOS-B	B	1
8991111011	10	Rubber mount		1
	11	Quick lock plate assembly for AOS-B	C	1
	12	Assembly screws for AOS-B	C	4
8991111311	13	Soft ring		1
	14	Retaining ring for AROS-B	D	1
	15	Ball bearing for AROS-B	D	1
	17	Ball bearing for AROS-B	D	1
	19	Washer for AROS-B	D	1
	20	Retaining ring for AROS-B	D	1
8991122111	21	Battery Pack		1
8991112211	22	Power Cord 2.0 m Europlug		1
8991112411	22	Power Cord 2.0 m UK		1
8991112611	22	Power Cord 2.0 m CN		1
8991112301	23	Spindle quick lock insert		1
	24	Speed controller	E	1
	25	Battery wire	E	1
	26	Motor connector assembly	E	1
	27	Trigger wires	E	1
	28	Battery terminal	E	1
	29	Assembly screws for switch	E	2
8991123011	30	Battery Charger		1
	31	Switch	E	1
	32	Holder	E	1
	33	Assembly screws for switch holder	E	2
	34	Assembly screws for trigger button cover	F	4
	35	Trigger button cover	F	1
	36	Trigger spring	F	1
	37	Trigger button	F	1
	38	PCB cover	G	1
	39	Assembly screws	G	4
	40	Cover	H	1
	41	Assembly clamps	H	2
	42	Type label	I	1
8294595311	43	Backing Pad Quick Lock 32mm PSA Hard		1
8294598311	43	Backing Pad Quick Lock 32mm Grip Soft		1
	44	Assembly screws for cover	H	2